



SVECOM P.E.

Web site: www.svecom.com

SUPPORTO SAFETY CHUCK

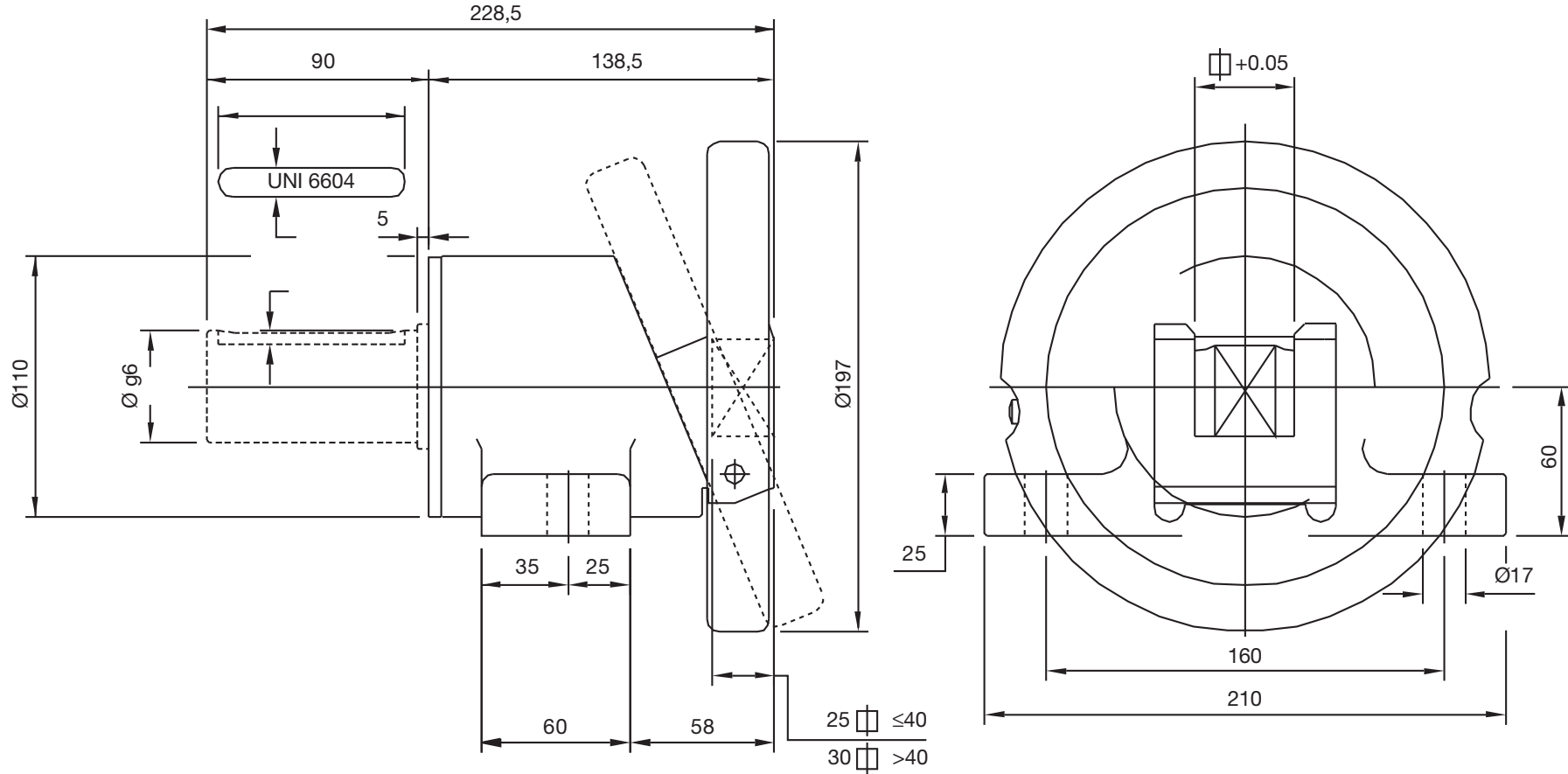
Tipo
Type

900 KLPP1

con alberino
with shaft extension

900 KLPP0

senza alberino
without shaft extension



A richiesta - On request:

- Tipo Supporto
Safety Chuck Type _____
- Quadro
Square Socket _____
- \varnothing Alberino
Shaft diameter _____

Protezione in acciaio standard - Steel finger guards are standard

Portata Max Coppia Supporti Capacity per Pair	Max Torsione Trasmissibile Max Torque Transmissible	Velocità Massima Max Speed	Quadri Standard Square Standard Socket	\varnothing Alberino Standard Standard Shaft Diameter
15600 N	1000 N/M	600 RPM	$\square 30 - \square 50$	$\varnothing 25 - \varnothing 45$