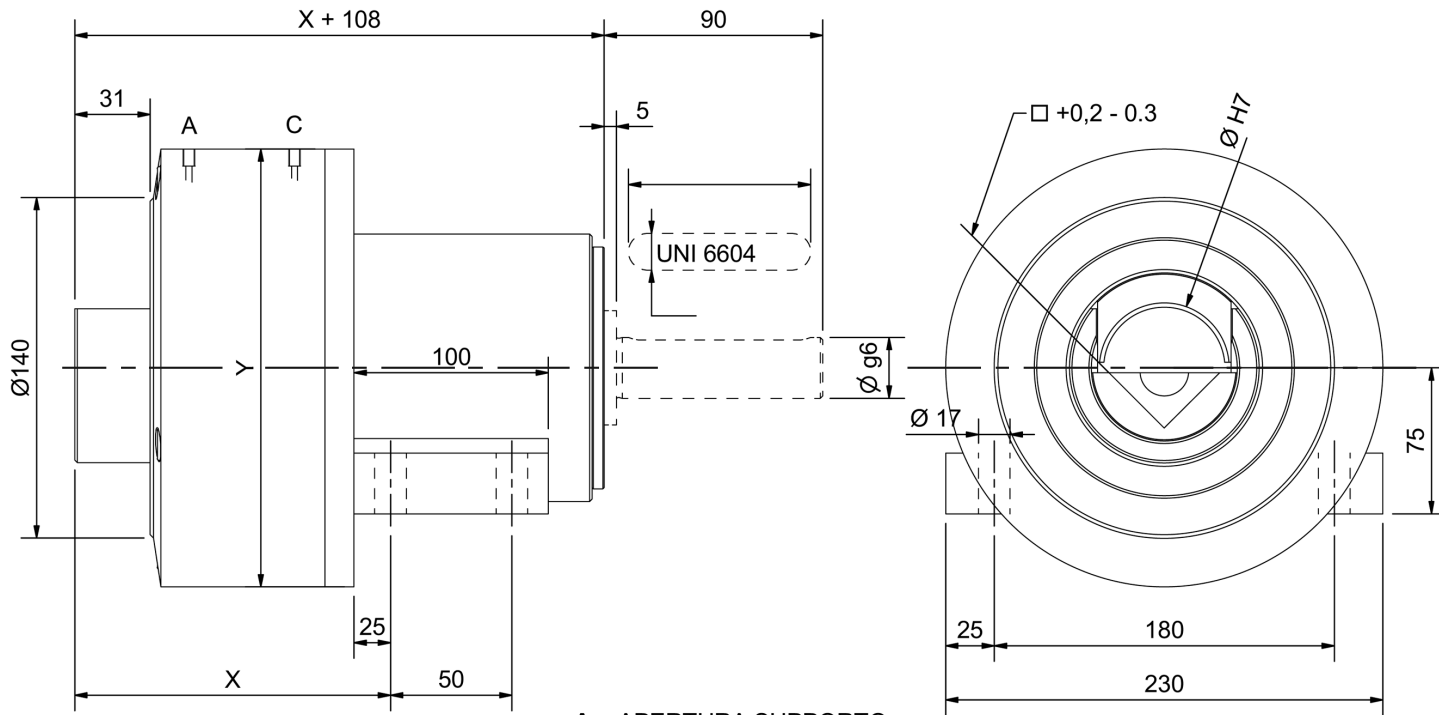


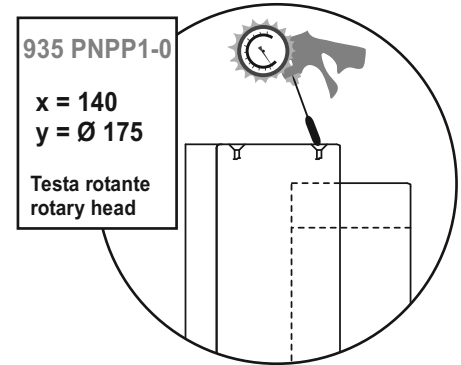
SVECOM P.E. SUPPORTO SAFETY CHUCK

Expanding devices

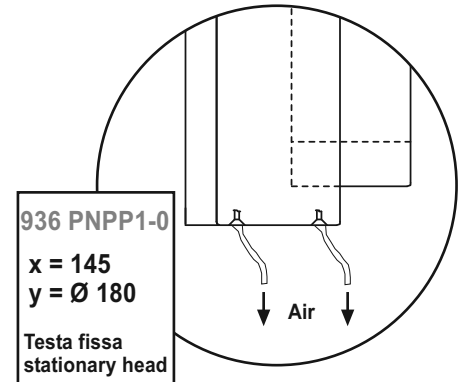
Tipo Type	Testa rotante / rotary head	Testa fissa / stationary head
	935 PNPP1TR	936 PNPP1TF con alberino with shaft extension
	935 PNPP0TR	936 PNPP0TF senza alberino without shaft extension



A = APERTURA SUPPORTO SAFETY CHUCK OPENING
C = CHIUSURA SUPPORTO SAFETY CHUCK CLOSING



Gonfiaggio manuale
Manual inflate



Gonfiaggio automatico
Automatic inflate

A richiesta - On request:

- Tipo Supporto
Safety Chuck Type _____
- Quadro
Square Socket _____
- Ø Alberino
Shaft diameter _____

Protezione in plastica standard - Plastic finger guard is standard

Portata Max Coppia Supporti Capacity per Pair	Max Torsione Trasmissibile Max Torque Transmissible	Velocità Massima Max Speed	Quadri Standard Square Standard Socket	Ø Alberino Standard Standard Shaft Diameter
30000 N	1300 N/M	1500 RPM	♁40 - Ø 55	Ø 30 - Ø 50