

SVECOM P.E.

Expanding devices

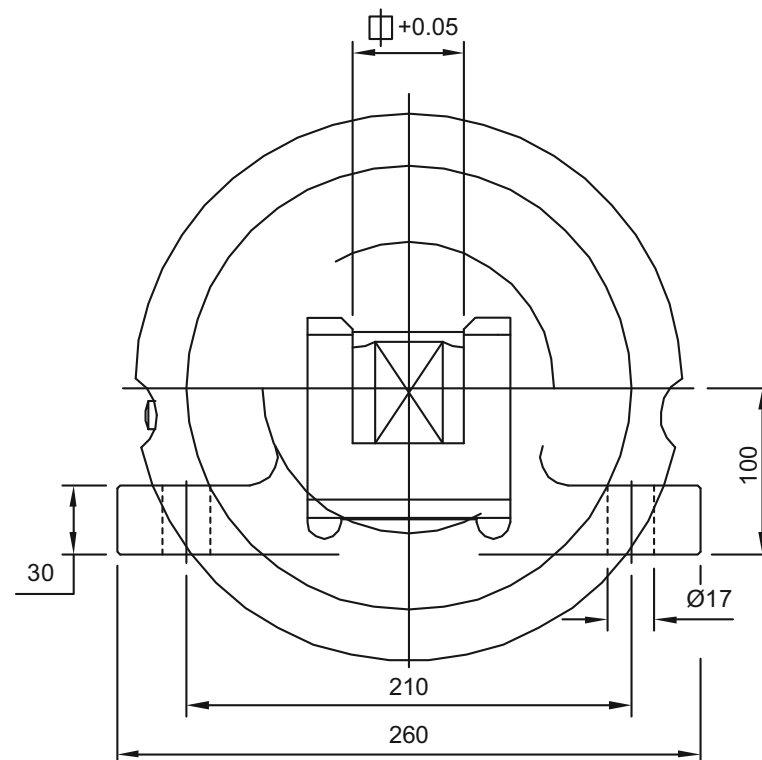
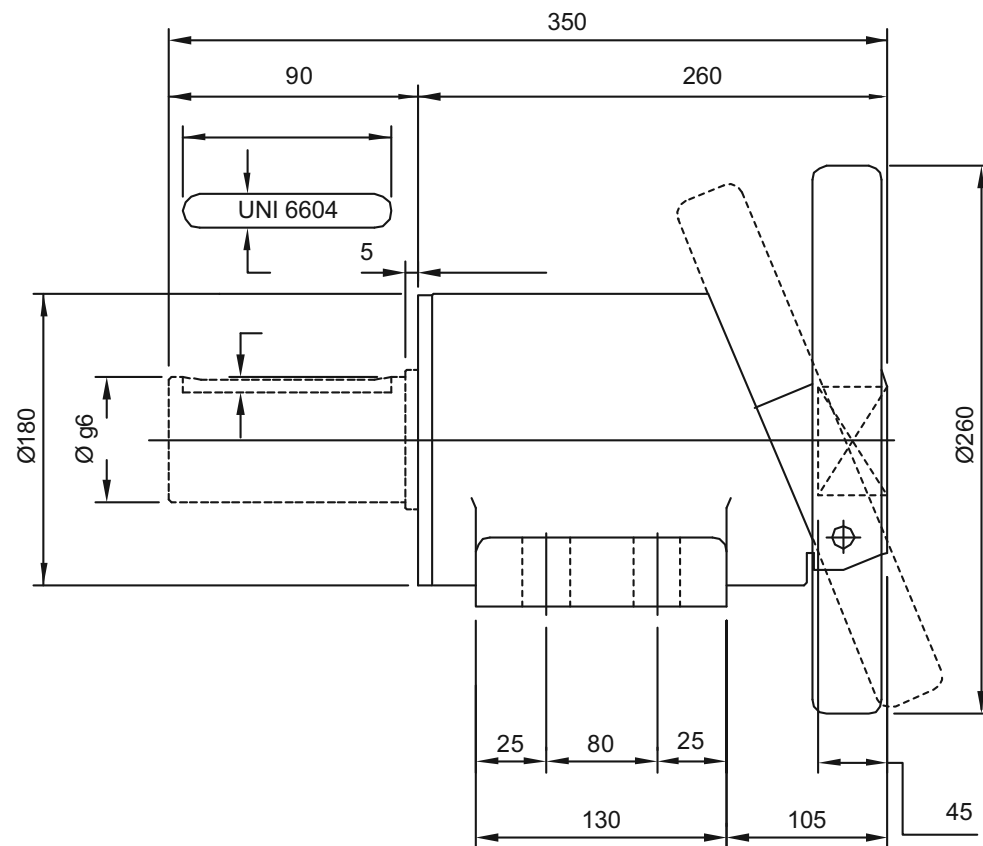
SUPPORTO SAFETY CHUCK

Tipo
Type

900 KLUP1
900 KLUP0

con alberino
with shaft extension

senza alberino
without shaft extension



A richiesta - On request:

- Tipo Supporto
Safety Chuck Type _____
- Quadro
Square Socket _____
- Ø Alberino
Shaft diameter _____

Protezione in gomma standard - Rubber finger gards are standard

Portata Max Coppia Supporti Capacity per Pair	Max Torsione Trasmissibile Max Torque Trasmissible	Velocità Massima Max Speed	Quadri Standard Square Standard Socket	Ø Alberino Standard Standard Shaft Diameter
60000 N	2500 N/M	1000 RPM	□60 - □80	Ø 50 - Ø 60