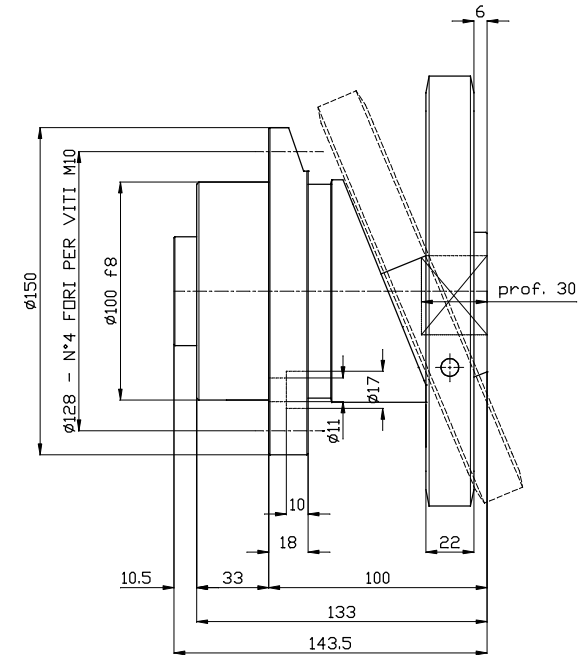
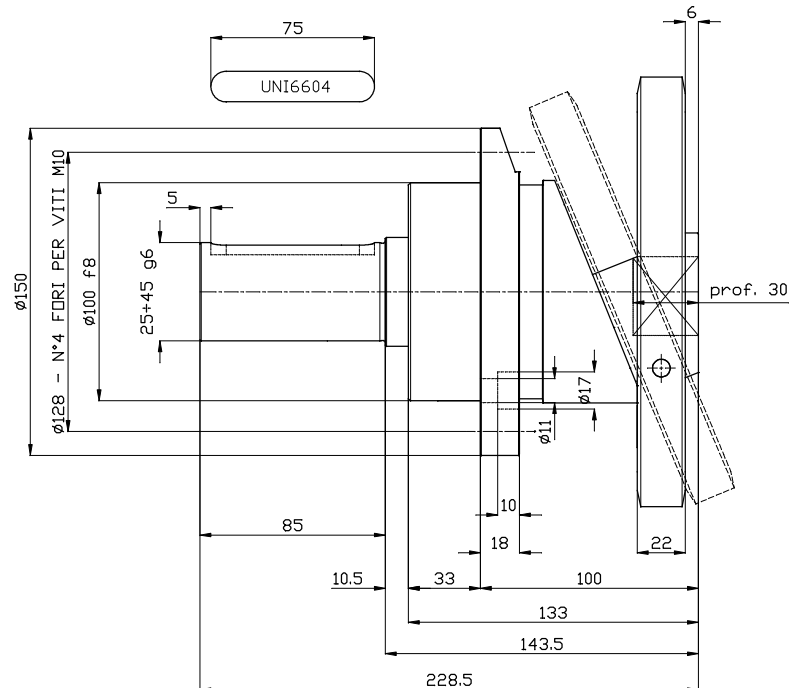
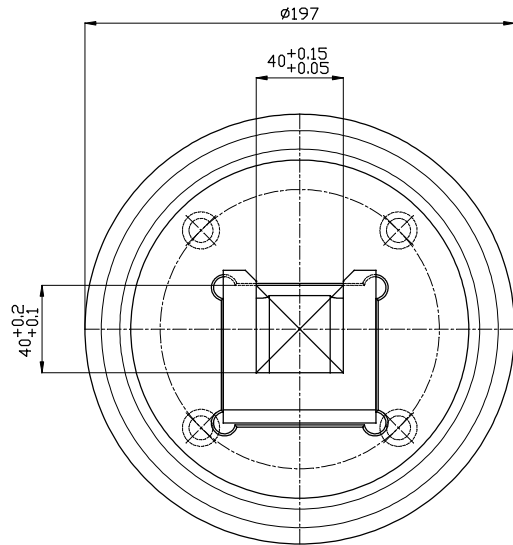


SP10/F0-1/U40 G



Peso Max. Bobina (Max. Roll Weight): 14000 N

Velocità Max. (Max. Speed): 600 RPM

Coppia Torc. Max. (Max. Torque): 940 Nm

