



SVECOM P.E.

Web site: www.svecom.com

SUPPORTO SAFETY CHUCK

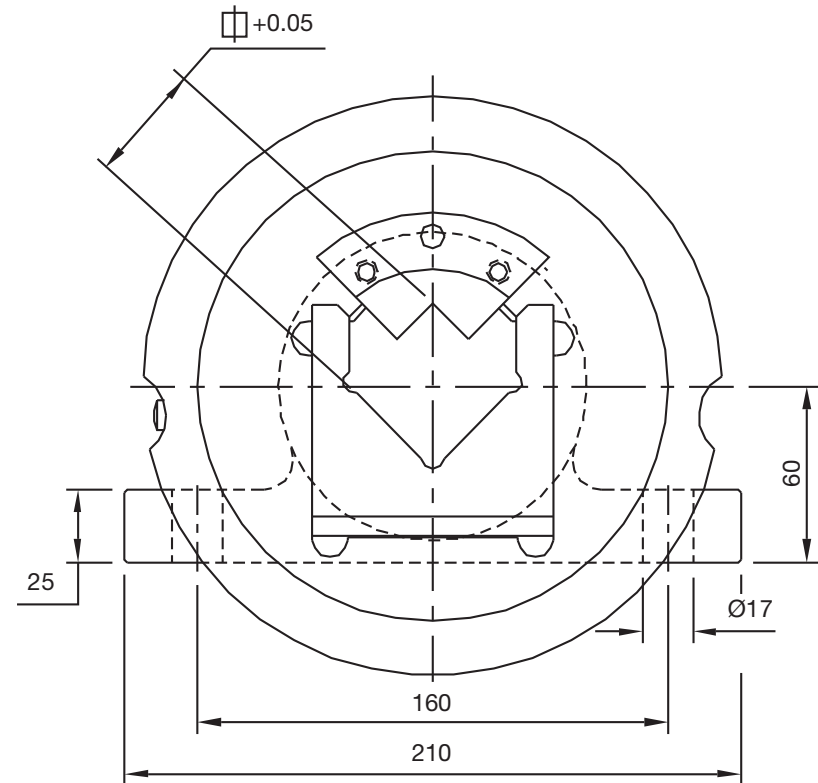
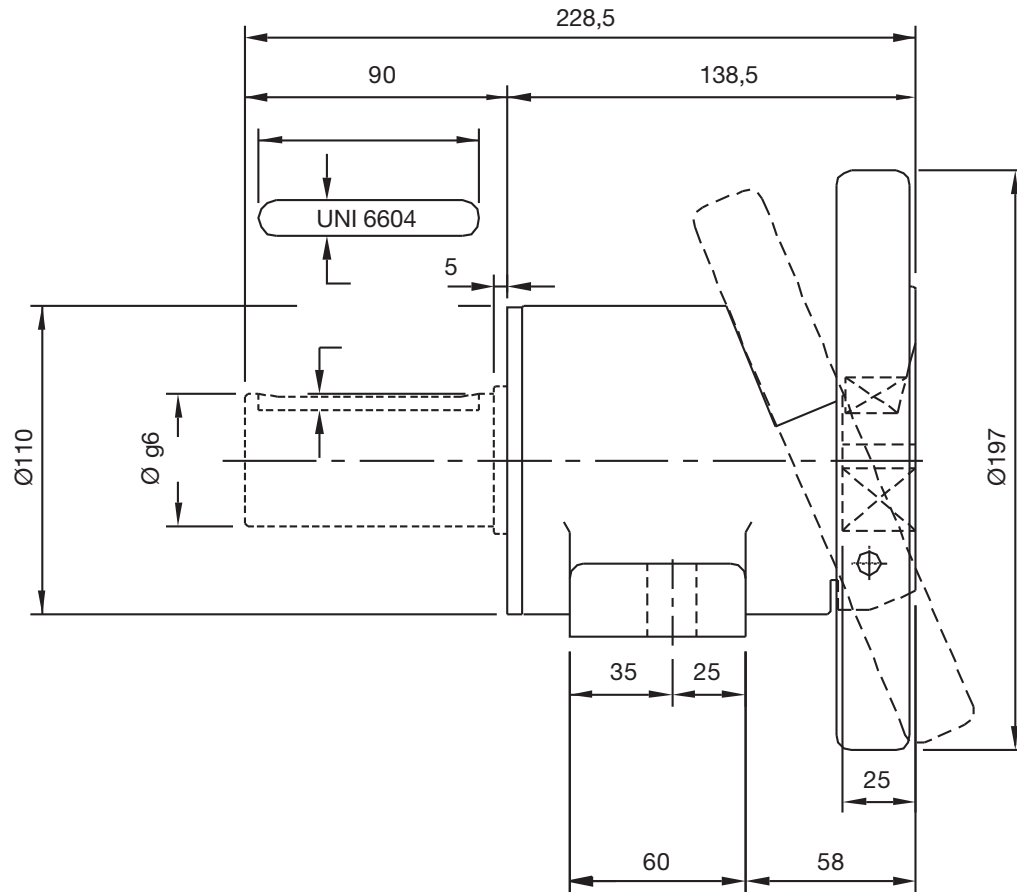
Tipo
Type

910 KLPP1

con alberino
with shaft extension

910 KLPP0

senza alberino
without shaft extension



A richiesta - On request:

- Tipo Supporto
Safety Chuck Type _____
- Quadro
Square Socket _____
- Ø Alberino
Shaft diameter _____

Protezione in acciaio standard - Steel finger guards are standard

Portata Max Coppia Supporti Capacity per Pair	Max Torsione Trasmissibile Max Torque Transmissible	Velocità Massima Max Speed	Quadri Standard Square Standard Socket	Ø Alberino Standard Standard Shaft Diameter
15600 N	1000 N/M	600 RPM	□ 30 - □ 40	Ø 25 - Ø 45