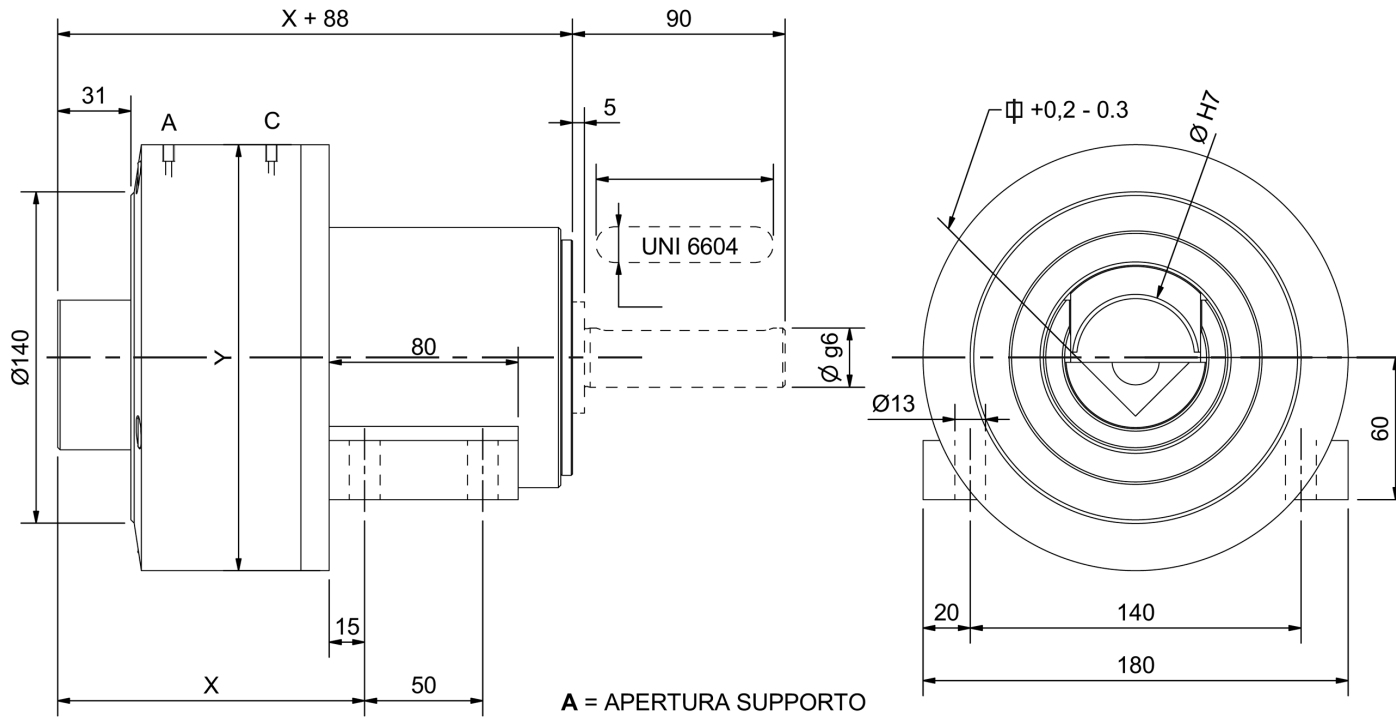


SVECOM P.E. SUPPORTO SAFETY CHUCK

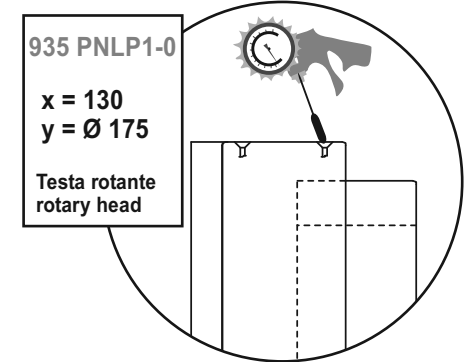
Expanding devices

	Testa rotante / rotary head	Testa fissa / stationary head	
Tipo	935 PNLP1TR	936 PNLP1TF	con alberino / with shaft extension
Type	935 PNLP0TR	936 PNLP0TF	senza alberino / without shaft extension

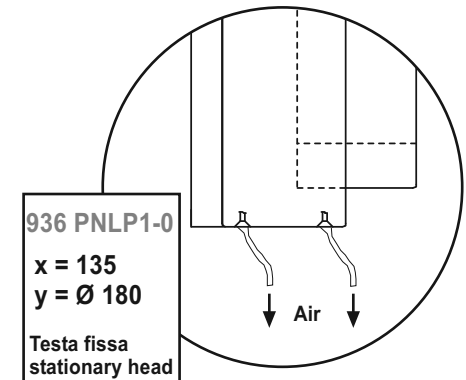


A = APERTURA SUPPORTO
SAFETY CHUCK OPENING

C = CHIUSURA SUPPORTO
SAFETY CHUCK CLOSING



Gonfiaggio manuale
Manual inflate



Gonfiaggio automatico
Automatic inflate

A richiesta - On request:

- Tipo Supporto / Safety Chuck Type _____
- Quadro / Square Socket _____
- Ø Alberino / Shaft diameter _____

Protezione in plastica standard - Plastic finger guard is standard

Portata Max Coppia Supporti Capacity per Pair	Max Torsione Trasmissibile Max Torque Transmissible	Velocità Massima Max Speed	Quadri Standard Square Standard Socket	Ø Alberino Standard Standard Shaft Diameter
15600 N	1000 N/M	1200 RPM	Ø35 - Ø 50	Ø 25 - Ø 45