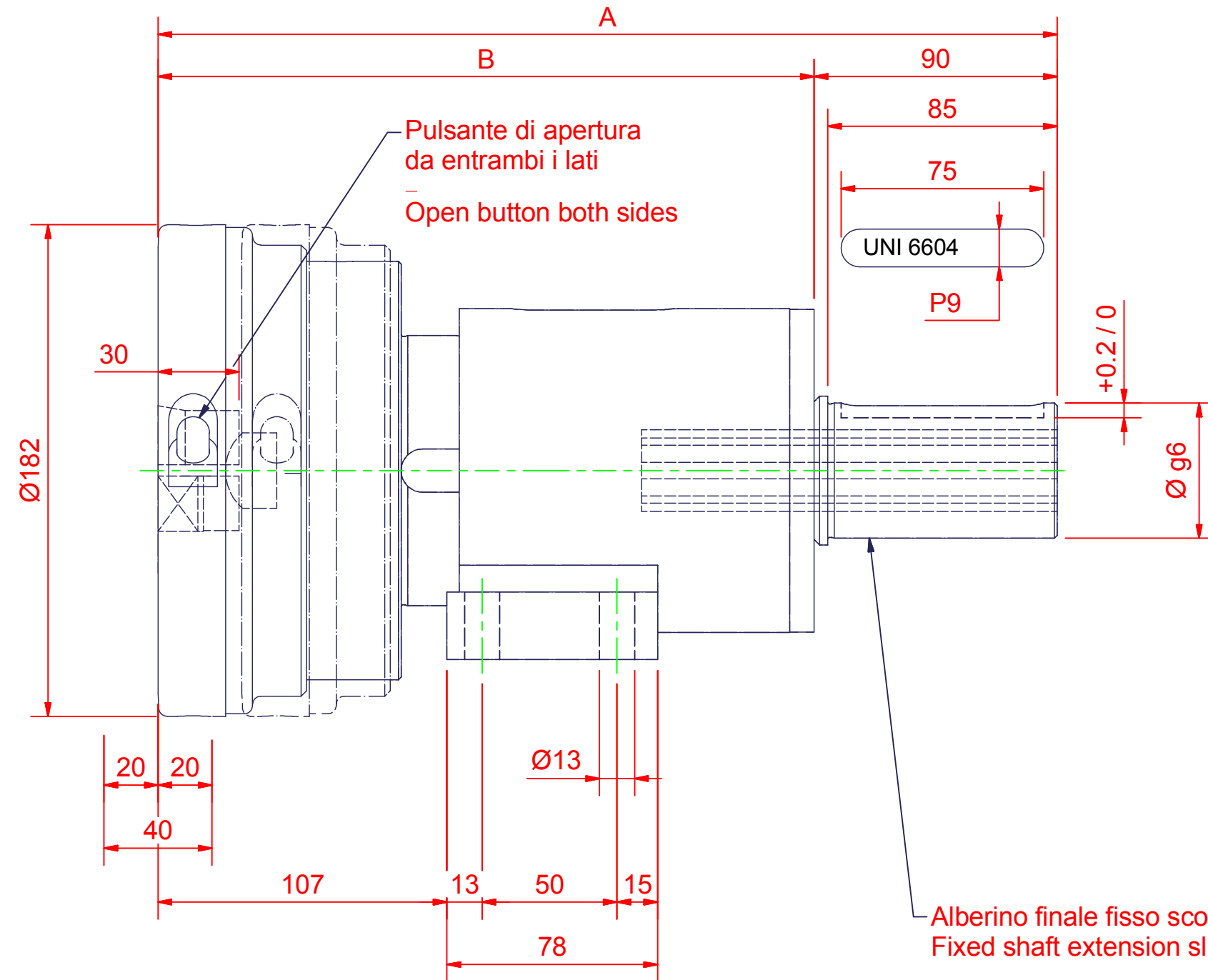
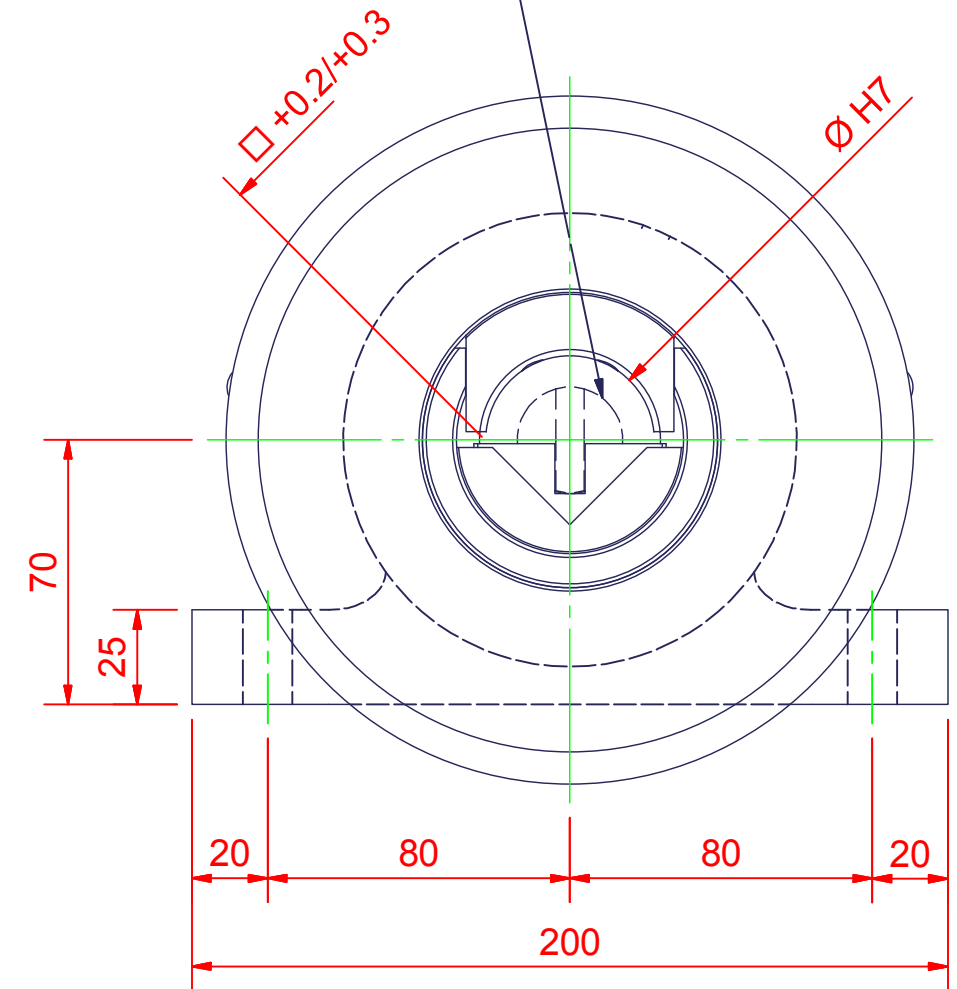


SUPPORTO AUTOCHIUDENTE SELF-CLOSING SAFETY CHUCK

Tipo
Type **951KLSLP1** con alberino
with shaft extension



A richiesta - Perno di sicurezza
On request - Safety pin



A richiesta - *On request:*

- Tipo Supporto
Safety Chuck Type _____
- Quadro
Square Socket _____
- \varnothing Alberino
Shaft diameter _____

Protezione in plastica standard - *Plastic finger guard is standard*

Portata Max Coppia Supporti Capacity per Pair	Max Torsione Trasmissibile Max Torque Transmissible	Velocità Massima Max Speed	Quadri Standard Square Standard Socket	\varnothing Alberino Standard Standard Shaft Diameter	
				A	B
15600 N	1000 N/M	1200 RPM	$\square 35-\varnothing 50$	$\geq \varnothing 50$	332
				$< \varnothing 50$	377