

SVECOM P.E.

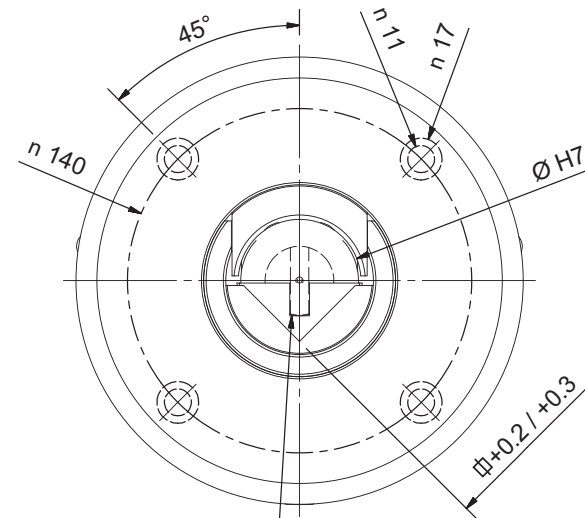
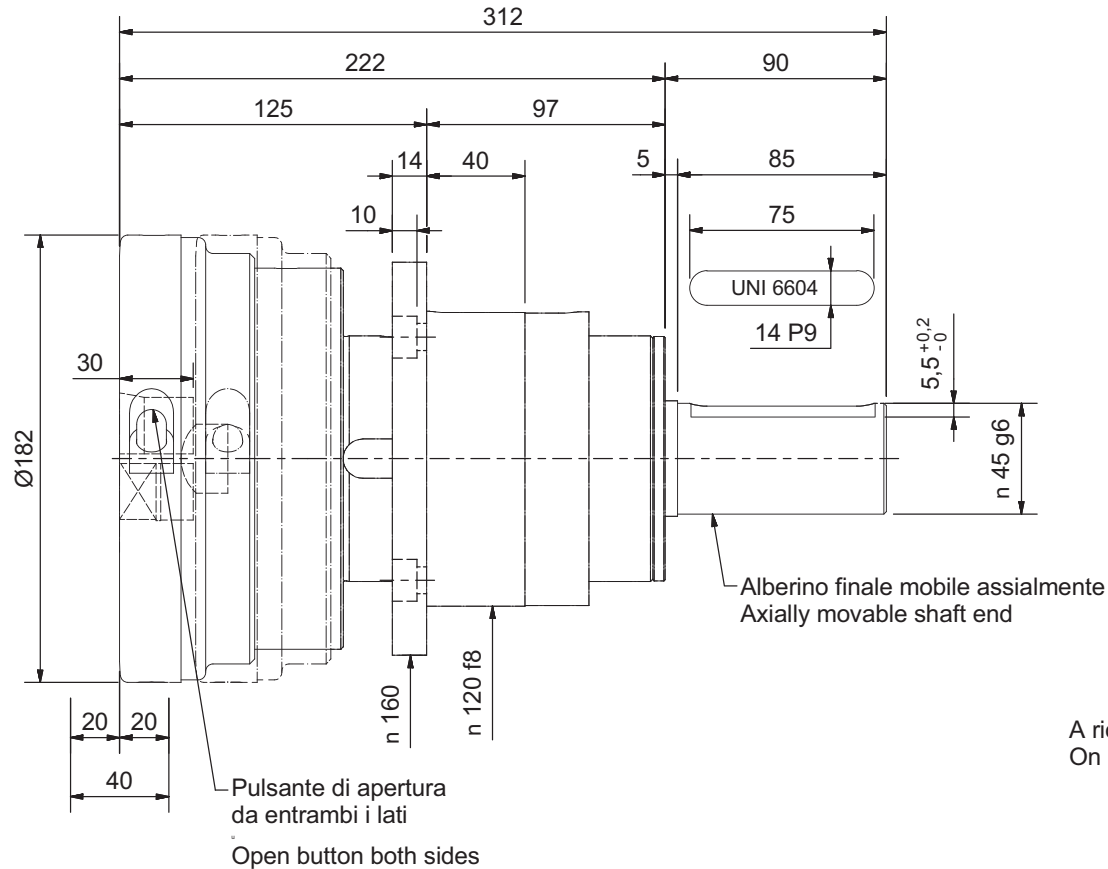
Expanding devices

**SUPPORTO AUTOCHIUDENTE
SELF-CLOSING SAFETY CHUCK**

Tipo
Type

951 KLLF1

con alberino
with shaft extension



A richiesta - Perno di sicurezza
On request - Safety pin

A richiesta - On request:

- Tipo Supporto
Safety Chuck Type _____
- Quadro
Square Socket _____
- Ø Alberino
Shaft diameter _____

Protezione in plastica standard - Plastic finger guard is standard

Portata Max Coppia Supporti Capacity per Pair	Max Torsione Trasmissibile Max Torque Transmissible	Velocità Massima Max Speed	Quadri Standard Square Standard Socket	Ø Alberino Standard Standard Shaft Diameter
15600 N	1000 N/M	1200 RPM	♠30-Ø42 / ♠31.75-Ø44.45 ♠35-Ø50 / ♠38.1-Ø50.8	Ø 45